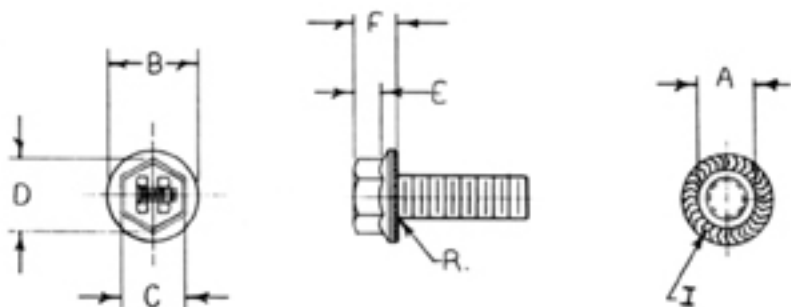


Metric Flange Hill-Lock® Screws



The patented chevron-toothed Hill-Lock design is also available in metric sizes, conforming to the most recently accepted metric dimensional standards, both **Regular** and **Heavy Hex**.

Our "Standard" Metric Flange Hill-Lock screws are produced to meet Class 90 specifications, which is Class 8.8 from boron treated steel, plus case hardened.

Our "Hi Strength" Metric Flange Hill-Lock screws are produced to meet Class 100 specifications, which is Class 10.9 from boron treated steel, plus case hardened.

Both classes are baked after plating to assure against hydrogen embrittlement.

Please state the "Standard" or "Hi Strength" designation when ordering.

Metric, Regular Hex Flange Hill-Lock Screws
Dimensioned per ASME B18.2.3.4M

	Screw Size		M6 x 1.00		M8 x 1.25		M10 x 1.50		M12 x 1.75		M16 x 2.00	
			m m	Dec.	m m	Dec.	m m	Dec.	m m	Dec.	m m	Dec.
A	Tooth I.D.	Min.	8.10	.319	11.63	.458	13.97	.550	17.15	.675	23.64	.931
		Max.	8.20	.323	11.68	.460	14.02	.552	17.20	.677	23.69	.933
B	Flange Dia.	Max.	13.60	.536	17.00	.670	20.80	.820	24.70	.973	32.80	1.292
C	Across Flats	Min.	7.64	.301	9.64	.380	12.57	.495	14.57	.574	20.16	.794
		Max.	8.00	.315	10.00	.394	13.00	.512	15.00	.591	21.00	.827
D	Across Corners	Min.	8.56	.337	10.80	.426	14.08	.555	16.32	.643	22.58	.890
E	Wrenching Ht.	Min.	2.90	.114	3.80	.150	4.30	.169	5.40	.213	6.70	.264
F	Head Ht.	Max.	6.90	.272	8.50	.335	9.70	.382	12.10	.477	15.20	.599
I	Teeth Number		22		30		36		44		60	
	Thread Length*	Nominal	18.0	.702	22.0	.867	26.0	1.024	30.0	1.182	38.00	1.500

Metric, Heavy Hex Flange Hill-Lock Screws
Dimensioned per ASME B18.2.3.9M

	Screw Size		M5 x 0.8		M6 x 1.00		M8 x 1.25		M10 x 1.50		M12 x 1.75		M16 x 2.00	
			m m	Dec.	m m	Dec.	m m	Dec.	m m	Dec.	m m	Dec.	m m	Dec.
A	Tooth I.D.	Min.	7.65	.301	9.73	.383	12.40	.488	15.70	.618	17.15	.675	27.81	1.095
		Max.	7.75	.305	9.78	.385	12.45	.490	15.75	.620	17.20	.677	27.86	1.097
B	Flange Dia.	Max.	11.80	.465	14.20	.559	18.00	.709	22.30	.879	26.60	1.048	35.00	1.379
C	Across Flats	Min.	7.64	.301	9.64	.380	12.57	.495	14.57	.574	17.57	.692	23.16	.913
		Max.	8.00	.315	10.00	.394	13.00	.512	15.00	.591	18.00	.709	24.00	.946
D	Across Corners	Min.	8.56	.337	10.80	.426	14.08	.555	16.32	.643	19.68	.775	25.94	1.022
E	Wrenching Ht.	Min.	2.40	.095	2.70	.106	3.60	.142	4.60	.181	5.20	.204	7.10	.280
F	Head Ht.	Max.	5.80	.229	6.60	.260	8.10	.319	10.40	.410	11.80	.465	15.40	.607
I	Teeth Number		20		25		32		40		46		60	
	Thread Length*	Nominal	16.0	.630	18.0	.702	22.0	.867	26.0	1.024	30.0	1.182	38.0	1.497

* Note: Flange Hill-Lock Screws will be fully threaded up to and including 50mm in length. Screws above 50mm long will be produced as a full diameter body with standard thread length. The screws will not be chamfered.